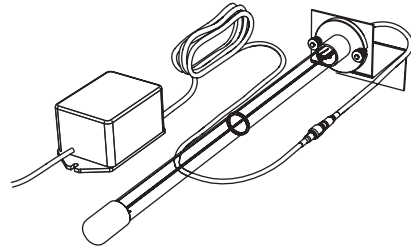


BIO-FIGHTER® LIGHTSTICK

Germicidal Ultraviolet Light

Installation Instructions

This product emits germicidal ultraviolet (UV-C) light to help disinfect the cooling coil, drain pan, and internal surfaces of HVAC systems for improved indoor air quality.



Package Includes:

- Lightstick™ air disinfection system
- 24V power supply
- UV-C lamp
- Lamp bracket
- UV-C safety viewport
- Lamp cord shield
- Self-drilling screws and gasket
- Installation instruction sheet
- UV-C safety label for duct

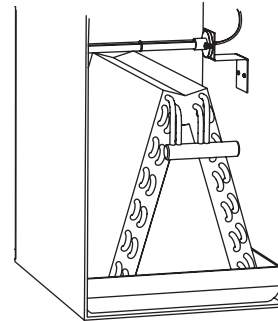
BEFORE INSTALLING

- Read all instructions carefully. Failure to do so could damage the equipment or cause harm to yourself or others.
- Acknowledge all warnings.
- Only qualified technicians should perform the installation.

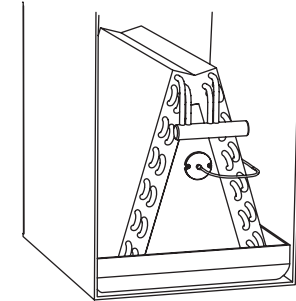
U.S. Patent Nos. 5,334,347, 5,817,276, 6,245,293, 6,267,924, 6,280,686, 6,313,470, 6,627,000, 6,539,727, 6,932,494, 6,550,257.

©2005 Dust Free, LP 213097-00 Rev. 1B 01/06

1 Choose Installation Type



Above A-Coil/Slab Coil



A-Coil Delta Plate

Special Installation Notes:

- If the UV device is installed on the inlet side (return air side) of a coil, make sure that the HVAC system is configured such that the blower is located between the return air filter and the in-let of the coil, such as would be found in a traditional up-flow, or horizontal furnace with the coil placed after the heat exchanger
- If the UV device is installed near an air filter, check with filter manufacturer for UV-C resistance properties.
- If the desired UV installation location is intended to irradiate an air filter, to neutralize the microbiological matter on the air filter surface, such as would be found in the return air drop of a basement application or in the return plenum of a horizontal system in an attic; take precautions as described in note above, and make sure the UV fixture is placed on the return side of the filter. **DO NOT INSTALL THE UV FIXTURE ON EITHER SIDE OF THE FILTER IN HALL / CLOSET RETURN AIR APPLICATIONS.**

⚠ WARNING

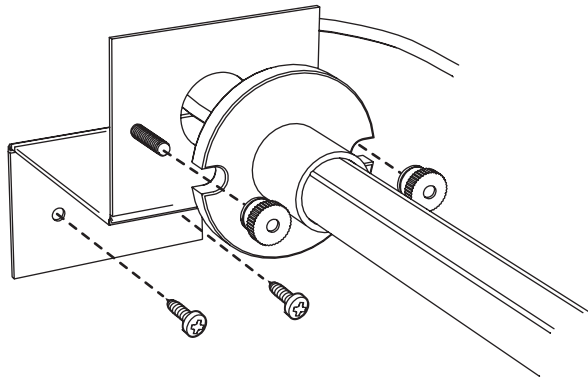
UV Light Hazard.

Can cause serious eye and skin damage.

Do not look at UV-C light.

Wear UV-C eye and skin protection

2 A-Coil/Slab Coil Lamp Installation



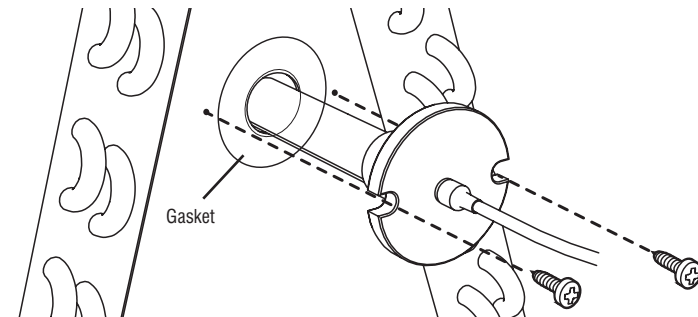
- Disconnect power to the air handler and open access panels.
- Install the lamp bracket at the desired location with two self-drilling screws (included). Secure the lamp to the lamp bracket with the provided knurled nuts. Be sure plastic cord shield is in place to protect lamp cord from sharp metal edges.

⚠ NOTICE

Clean lamp prior to installation.

Use a cotton cloth to remove dirt and fingerprints. Failure to clean the lamp could shorten the lamp's lifespan.

3 A-Coil Delta Plate Lamp Installation



- Drill a 7/8" hole into the delta plate and place gasket (included) around hole.
- Insert lamp directly into hole and secure the lamp to the delta plate with two self-drilling screws

Note: A-Coil delta plate installation does not use lamp bracket.

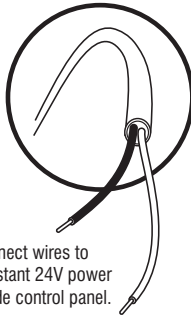
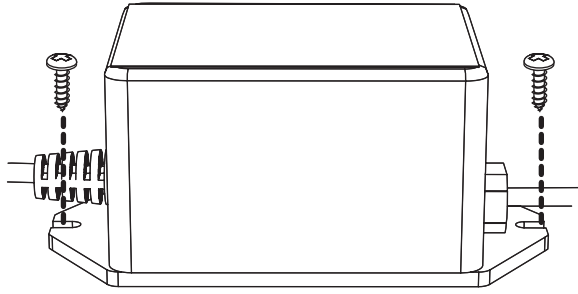
⚠ WARNING

UV Light Hazard.

Can cause serious eye and skin damage. Do not look at UV-C light.

Wear UV-C eye and skin protection

4 Install Power Supply



Connect wires to constant 24V power inside control panel.

- Install the power supply in a suitable location inside the control panel of the air handler using two self-drilling screws (included).
- Connect the power supply to **constant** 24V power.

The device must be installed in compliance with all national and local electrical and mechanical codes. Failure to do so will void warranty.

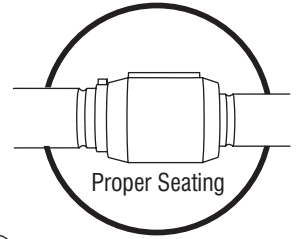
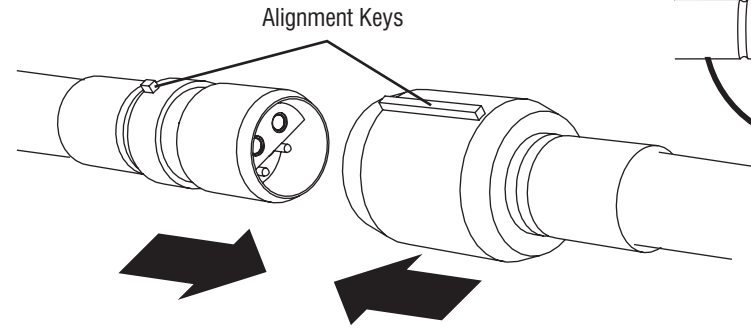
⚠ WARNING

Electric Shock Hazard.
Can cause injury or death.
Disconnect all electrical power supplies before servicing.

⚠ WARNING

For Use with 24V Only.
Do not exceed voltage rating.
Severe damage to device and/or fire could result. Verify proper voltage.

5 Connect Lamp

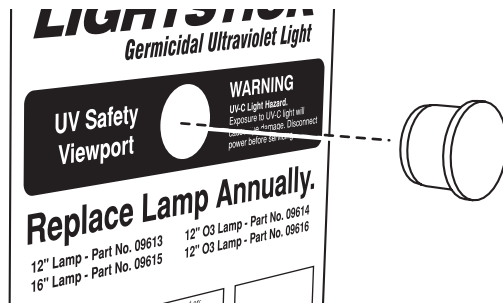


- Connect lamp connector to power supply connector. Connectors are keyed for proper alignment. Be sure to fully seat the connectors for proper electrical connection and water resistance.
- Install plastic cord shield where cord comes into contact with any sharp metal edges.

⚠ NOTICE

Fully Seat Lamp Connector.
Failure to properly seat lamp connector could result in improper lamp operation and/or compromise water resistance.

6 Install UV Safety Viewport



- Adhere the provided UV safety label to the outside of the duct near the installation location and drill a 5/8" hole as indicated on the label. Press the UV safety viewport into hole.
- Close all access panels and reconnect power to the air handler.
- Verify that a blue glow can be seen through the UV safety viewport.

⚠ NOTICE

Replace Lamp Annually.
UV-C lamps expend their germicidal effectiveness over time. Replace the lamp annually even if the lamp appears to be operating normally.

Warranty

Dust Free LP warrants this Bio-Fighter UV-C Light to be free from defects in materials and workmanship under normal use and service, for a period of five (5) years from the date of purchase. This warranty does not cover UV-C lamp(s), which carry a one (1) year warranty from the date of installation.

This warranty does not cover cosmetic damage, damage due to acts of God, damage as a result of handling or shipment, negligence, misuse, connection to improper voltage, improper maintenance, or abuse. This warranty is void if defect(s) result from failure to have this unit installed by a qualified, properly licensed, heating and air conditioning contractor in compliance with all local building and construction codes.

Dust Free LP's exclusive obligation under this warranty shall be to supply, without charge, a replacement for any covered component of the Bio-Fighter UV-C Light which is found to be defective within the parameters defined herein. Dust Free LP reserves the right to replace or repair the defective part or component.

DUST FREE LP SHALL NOT BE LIABLE FOR ANY LOSS OR DAMAGE OF ANY KIND, INCLUDING ANY INCIDENTAL OR CONSEQUENTIAL DAMAGES RESULTING, DIRECTLY OR INDIRECTLY, FROM ANY BREACH OF WARRANTY, EXPRESS OR IMPLIED, OR ANY OTHER FAILURE OF THIS PRODUCT. (Some states do not allow the exclusion or limitation of incidental or consequential damages, so this limitation may not apply to you.) THE WARRANTIES SET FORTH HEREIN ARE EXCLUSIVE AND DUST FREE LP EXPRESSLY DISCLAIMS ALL OTHER WARRANTIES, WHETHER WRITTEN OR ORAL, IMPLIED OR STATUTORY, INCLUDING BUT NOT LIMITED TO ANY WARRANTIES OF MERCHANTABILITY, WORKMANSHIP, OR FITNESS FOR A PARTICULAR USE. If the limited warranty is void due to failure to use a qualified contractor all disclaimers of implied warranties shall be effective upon installation.

How to make a warranty claim or have questions answered:

Should you have a warranty claim or questions about the warranty policy, contact the distributor or dealer from which you purchased the product. Proof of original purchase and proof of identity that the original purchasing party is filing the claim is required in order to initiate a warranty claim. Defective parts must be returned no later than thirty (30) days after the failure to the installing contractor together with the model number, serial number, and date of installation. All service and removal must be performed by a licensed HVAC contractor. You must pay shipping charges and all other costs of warranty service. Warranty is only valid the United States and Canada.

THIS WARRANTY SHALL NOT OBLIGATE THE MANUFACTURER FOR ANY LABOR COSTS AND SHALL NOT APPLY TO DEFECTS IN WORKMANSHIP OR MATERIALS FURNISHED BY THE INSTALLING CONTRACTOR AS CONTRASTED TO DEFECTS IN THE GERMICIDAL LIGHT ITSELF.

NOTE: Do not return any products or parts to the factory without a factory issued Return Authorization number issued by the Dust Free LP customer service department.

In the event you have any questions concerning the use and care of this product or this warranty which have not been answered to your satisfaction by the distributor or dealer, please call or write the factory.