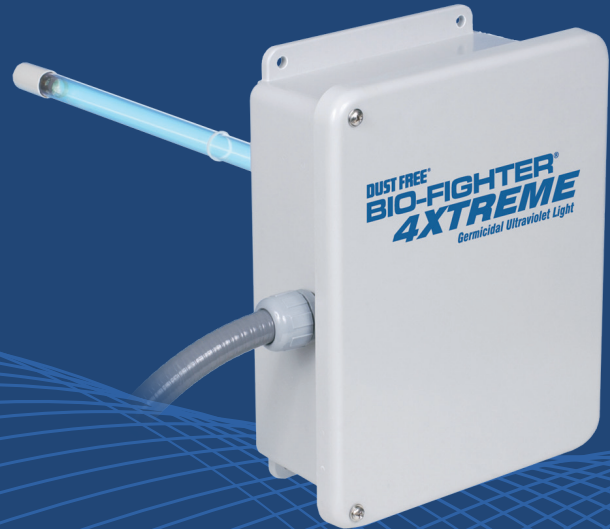


GERMICIDAL UV

# 4Xtreme

The 4Xtreme rooftop UV-C fixture, equipped with a UL listed NEMA 4X interlocked enclosure, can handle the harshest of HVAC environments.



## Suitable For Extreme Indoor/Outdoor Applications

Whether it is Mother Nature or a splash of coil cleaner, the Bio-Fighter® 4Xtreme rooftop UV-C fixture, equipped with a UL listed NEMA 4X interlocked enclosure, can handle the harshest of HVAC environments. Many rooftop AHUs are candidates for high power commercial UV-C fixtures and the 4Xtreme is the Bio-Fighter® for the job.

### Harsh Environments.

Suitable for extreme indoor/outdoor applications.

### NEMA 4X.

NEMA 4X rated housing protects internal components against moisture and corrosion.

### Convenient Design.

User friendly slide-clip lamp retention system makes bulb replacement easier.

### High Output UV.

Large T6 HO lamps are custom designed with cathode rings to maximize UV-C power and efficiency.

### Multi-Voltage.

120V-240V multi-voltage electronic ballast.

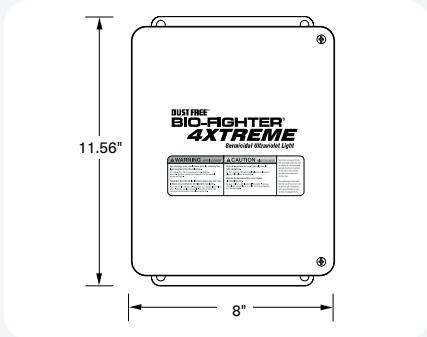
### Maximize Drain Pan Dosing.

Tilt-lamp feature increases the amount of UV-C dosage into water located in the drain pan.

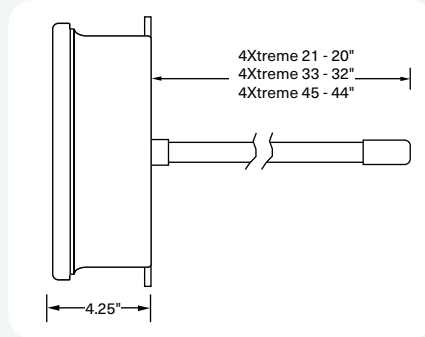
### Safety Interlock.

Optional remote safety interlock installs on air handler access panel to prevent operation during servicing.

## IMAGES



Front view.



Side view.

## SPECIFICATIONS

Model	4Xtreme 21" #06159	4Xtreme 33" #06160	4Xtreme 45" #06158
<b>Lamp Length</b>	20"	32"	44"
<b>UV-C Output</b> (Uw/cm2)	720	750	840
Tested at 50° F, 12", 500FPM air velocity.			
<b>Size and Weight</b>	<b>Enclosure:</b> 11.56"H x 8"W x 4.25"L  <b>Weight</b> 8.2 lbs.		
<b>Electrical</b>	120V-240V, 50/60 Hz, multi-voltage electronic ballast. Full load amps: 120V – 0.9 amps. 240V – 0.5 amps. 3 amp, 250V, inline fuse.		
<b>Lamp Life</b>	9,000 hour.		
<b>Temperature Rating</b>	-45° to 150° F (Outside of duct).		
<b>Warranty</b>	3-yr limited. 1-yr lamp.		

## PROJECT

Customer:

Project:

Engineer:

PO #:

DESCRIPTION	QTY
4Xtreme 21" - #06159	<input type="text"/>
4Xtreme 33" - #06160	<input type="text"/>
4Xtreme 45" - #06158	<input type="text"/>

## ELECTRICAL

This unit is to be hard-wired to an appropriate electrical service in accordance with NEC.

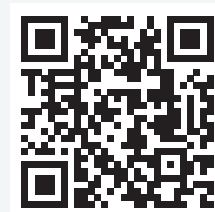


EPA Establishment No. 73316-TX-1

Dust Free® uses independent labs and universities for product testing.  
 Visit <http://www.dustfree.com/testing>.

The product and technologies described are not medical devices, and are not intended to diagnose, treat, cure, or prevent any disease or illness.

1. All third-party laboratory testing paid for by Dust Free®.



Learn more at  
<https://dustfree.com/product/4xtreme>