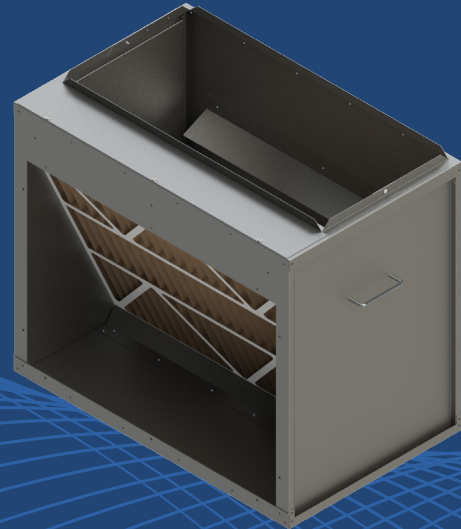


AIR CLEANERS

Right Angle MAC

Provides a simple, space-saving, duct transition to the furnace in the vertical installation.



Benefits Your Whole House

The Dust Free[®] Right Angle Media Air Cleaner is the solution for media air cleaners that normally require a 90° transition to fit vertical furnace installations. The media air cleaner includes a MERV 11 filter that traps significantly more airborne particles than traditional disposable fiberglass filters.

High Efficiency.

MERV 11 performance captures dust, dander, smoke, pollen, and mold spores. MERV 13 filters available.

Spacing-Saving Design.

Integrated 90° duct transition. No separate transition required for vertical installations.

Adaptable Duct Inlet.

Includes adapter plate to fit different duct and equipment opening sizes to suit almost any application.

Reversible Door Design.

The filter access door is easily reversible to fit left-sided or right-sided return applications.

Easy Maintenance.

Easy filter size identification and quick filter media replacement.

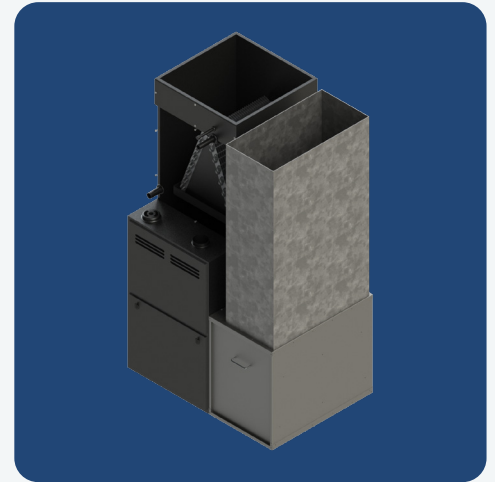
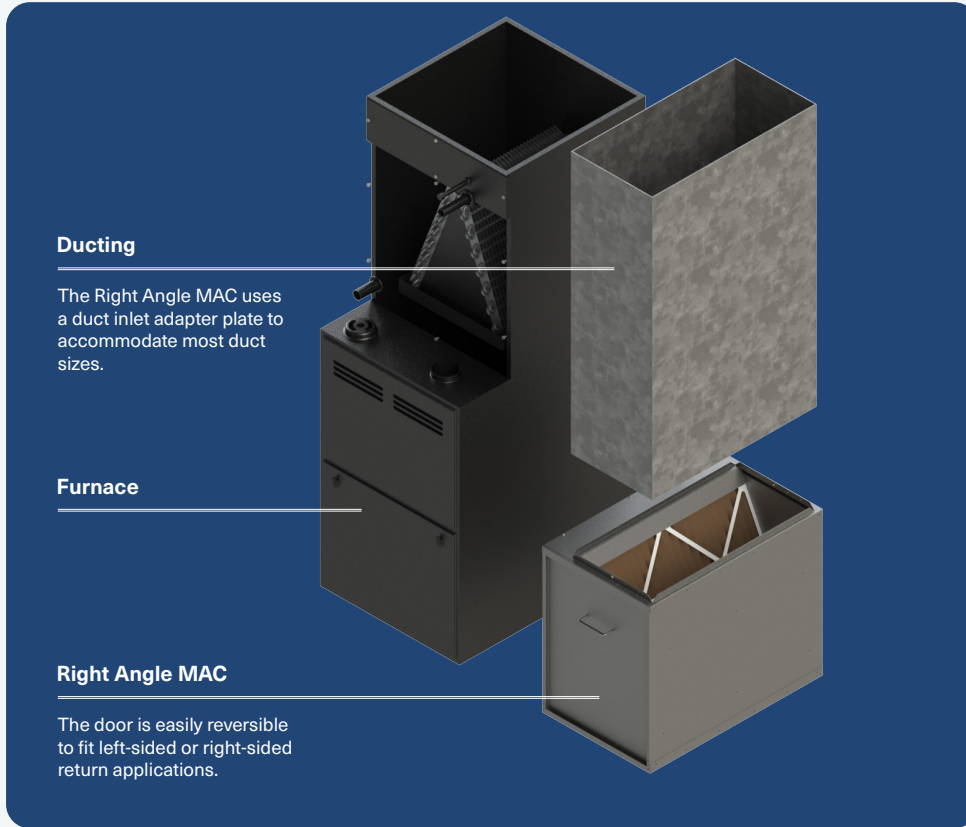
Improved Static Pressure.

Compatible with Dust Free[®] Furnace Riser for improved static pressure.

Construction.

Sturdy 22-gauge painted steel cabinet.

IMAGES

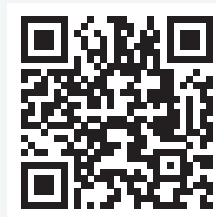


The Right Angle MAC minimizes the space required for 90 degree transitions.

Exploded view of Right Angle MAC in a furnace installation.

SPECIFICATIONS

Media Air Cleaner Dimensions (D x H x W)	#20060 - 16" x 25"	
	26" x 16.25" x 18.5"	
	Filter Size: 15.6875" x 24.6875" x 4.375"	
	#20061 - 20" x 25"	
	26" x 16.25" x 22"	
	Filter Size: 19.6875" x 24.6875" x 4.375"	
Construction	22-gauge painted steel.	
Replacement Air Filter Dimensions (D x H x W)	MERV 11	MERV 13
	#12587 - 16" x 25"	#11090 - 16" x 25"
	15.6875" x 24.6875" x 4.375"	15.6875" x 24.6875" x 4.375"
	Fits: #20060	Fits: #20060
	#12589 - 20" x 25"	#11092 - 20" x 25"
	19.6875" x 24.6875" x 4.375"	19.6875" x 24.6875" x 4.375"
Fits: #20061	Fits: #20061	



Learn more at
<https://dustfree.com>